

Two-piece suspension ring for ventilation ducts

CLRL/CLR

For diameters $\varnothing d_1 \leq 400$ mm



For diameters $\varnothing d_1 \geq 450$ mm



Description

CLRL/CLR suspension rings are two-piece circular clamps fastened together with a pair of steel bolts. One of the fastening lug pairs is latched in the suspension rings of up to 400 mm in diameter to increase the ease of clamping around the ventilation duct. Suspension rings in this diameter range are installed with a rivet nut on a threaded rod or a stud bolt:

- CLR/CLRL - M8/M10 rivet nut
- CLR-K - only M8 rivet nut
- CLRL-K - M8/M10 rivet nut
- CLR/CLRL-K-316L - only M8 rivet nut

NOTE!

Exception: CLR/CLRL-112 - only M8 rivet nut.

Suspension rings in the diameter range $d > 450$ mm need to be fastened with two threaded rods. As a result, rivet nuts are not required for these product sizes. The required mounting components are available on link ["Ventilation Mounting Accessories - Universal Accessories"](#).

- CLR** - two-piece suspension ring
- CLRL** - two-piece suspension ring with an EPDM damping liner.

Available materials - Product code example

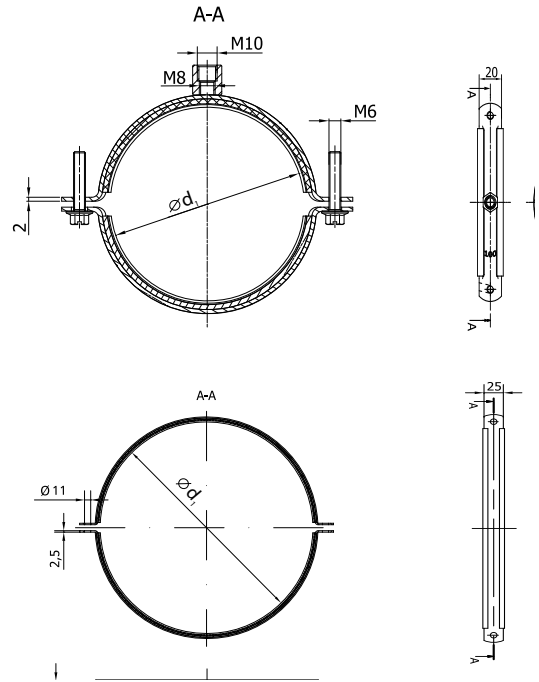
- CLRL-... - galvanized steel sheet
- CLRL-K-... - 1.4301/304 stainless steel sheet
- CLRL-K-...-316L - 1.4404/316L stainless steel sheet, molybdenum-enriched

Product code example

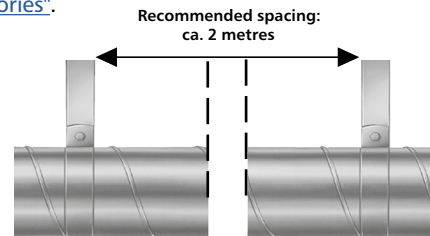
Product code: **CLRL - aaa**

type _____
 $\varnothing d$ _____

Dimensions



*Suspension rings in diameters of $d_1 \geq 450$ mm are made without rivet nuts and suspended with two PG threaded rods. The required mounting components are available on link ["Ventilation Mounting Accessories - Universal Accessories"](#).



$\varnothing d_{1\text{ nom}}$ [mm]	Weight [kg]	$\varnothing d_{1\text{ nom}}$ [mm]	Weight [kg]
80	0.2	400	0.5
100	0.2	450	0.6
112	0.2	500	0.6
125	0.2	560	0.7
140	0.2	600	0.7
150	0.2	630	0.8
160	0.2	710	0.9
180	0.3	800	1.1
200	0.3	900	1.2
224	0.3	1000	1.3
250	0.3	1120	1.5
280	0.3	1250	1.6
300	0.4	1400	1.9
315	0.4	1500	2.0
355	0.5	1600	2.2