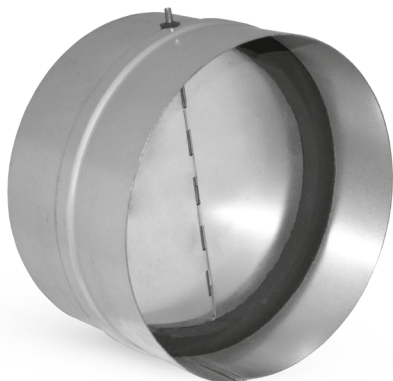


Round non-return damper

DAOS



Description

The DAOS dampers feature a split flap closure and allow the air flow to pass in one direction only. The aluminium closure flaps are pressed against a foam seal when closed to reduce the operating noise in the ductwork. The split flap closure is held closed with a spring gear, which makes it also possible to use the damper in vertical installations.

Available materials - Product code examples

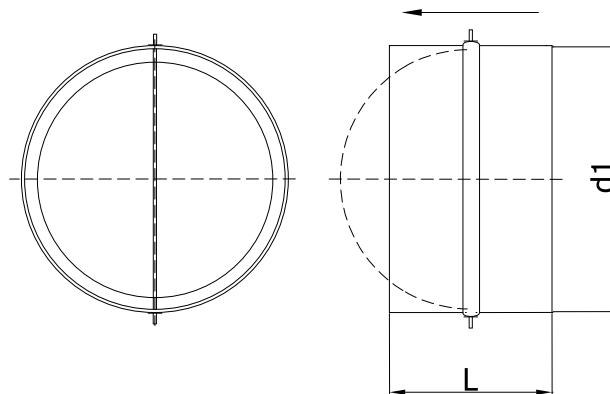
- DAOS-... - galvanized steel sheet
- DAOS-K... - 1.4301/304 stainless steel sheet
- DAOS-K-...-316L - stainless steel sheet 1.4404 / 316L - the change of material concerns the casing, the rest is made according to the standard for DAOS-K
- DAOS-A... - aluminium sheet - the change of material concerns the casing, the rest is made according to the standard for DAOS-K

Product code example

Product code: **DAOS - aaa**

type _____
 Ød₁ _____

Dimensions



Ød _{1 nom} [mm]	L [mm]	Weight [kg]
80	81	0.1
100	81	0.1
125	81	0.2
150	81	0.2
160	81	0.2
180	81	0.3
200	81	0.3
250	190	0.8
300	190	0.9
315	190	1.0
355	270	1.5
400	270	1.7
450	270	1.9
500	270	2.1

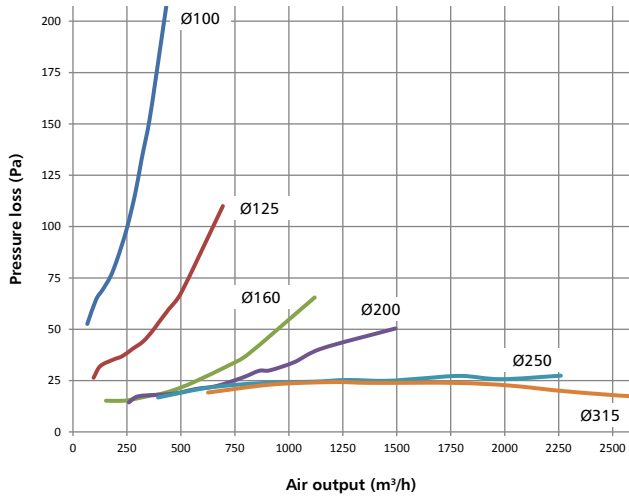
Diameter sizes up to Ød 560 mm are available on request.

Round non-return damper

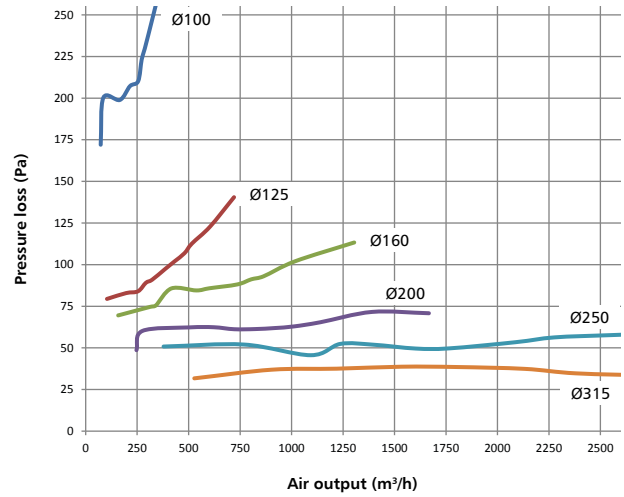
DAOS

Technical specifications

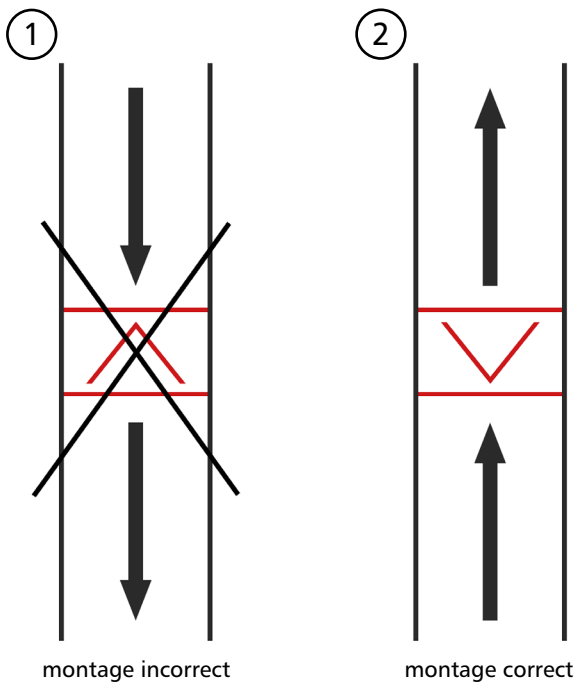
Pressure loss chart for DAOS



Pressure loss chart for DAOS-K



Vertical mounting is allowed as shown in the figure below:



➔ - airflow direction