

Ventilation chimney cowl

VHK**Description**

VHK ventilation chimney cowls offer a great solution for roof air intakes or exhausts in industrial or housing ventilation systems.

They are made from galvanized steel sheet in the standard version; non-standard versions in stainless steel sheet, aluminium sheet or plastic-coated steel sheet (in various colours) are available on request. The intake mouth is protected by a steel mesh. The standard version has a connector port; a flanged version is available on request.

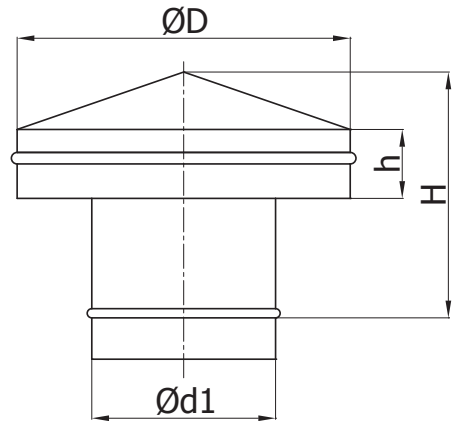
Available materials — Product code examples

- VHK-... - galvanized steel sheet
 VHK-K-... - 1.4301/304 stainless steel sheet
 VHK-K-...-316L - 1.4404/316L stainless steel sheet, molybdenum-enriched
 VHK-A-... - aluminium sheet
 VHK-A-... - copper sheet

Product code example

Product code: **VHK - aaa**

type _____
 Ød₁ _____

Dimensions

Ød ₁ [mm]	ØD [mm]	h [mm]	H [kg]	Weight [kg]
80	180	60	133	0,7
100	180	60	133	0,7
125	224	60	139	0,9
140	290	60	148	1,0
150	290	60	148	1,1
160	290	60	148	1,1
180	360	100	197	1,7
200	360	100	197	1,9
224	405	100	208	2,4
250	450	100	228	2,6
280	570	100	244	3,6
300	570	100	244	3,8
315	570	100	244	4,1
355	720	150	337	6,0
400	720	150	337	6,2
450	810	150	349	7,2
500	900	200	411	11,2
560	1080	200	435	12,0
600	1080	200	435	12,2
630	1135	200	442	12,8
710	1280	200	482	14,5
800	1440	200	503	18,0